



Service Manual / Manuel de Service

9" x 16" Metal Cutting Bandsaw

Scie à Ruban à Métal 9" x 16"

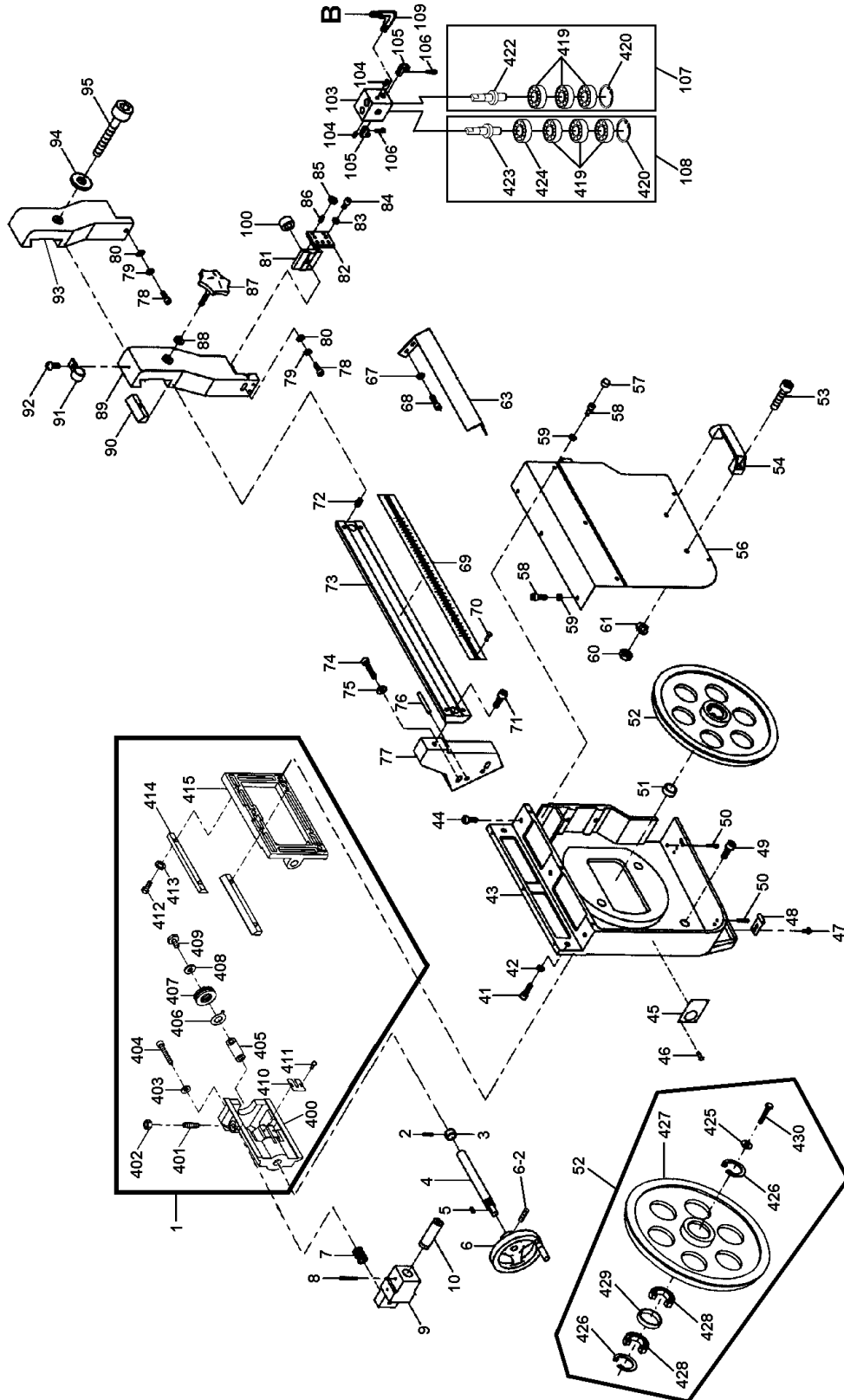


MFG 2003 and up only / Modèle 2003 et plus seulement

Revised/Revisé 08/2008

Head Diagram 1 / Diagramme de la Tête 1

KC-225





Service Manual / Manuel de Service

9" x 16" Metal Cutting Bandsaw

Scie à Ruban à Métal 9" x 16"

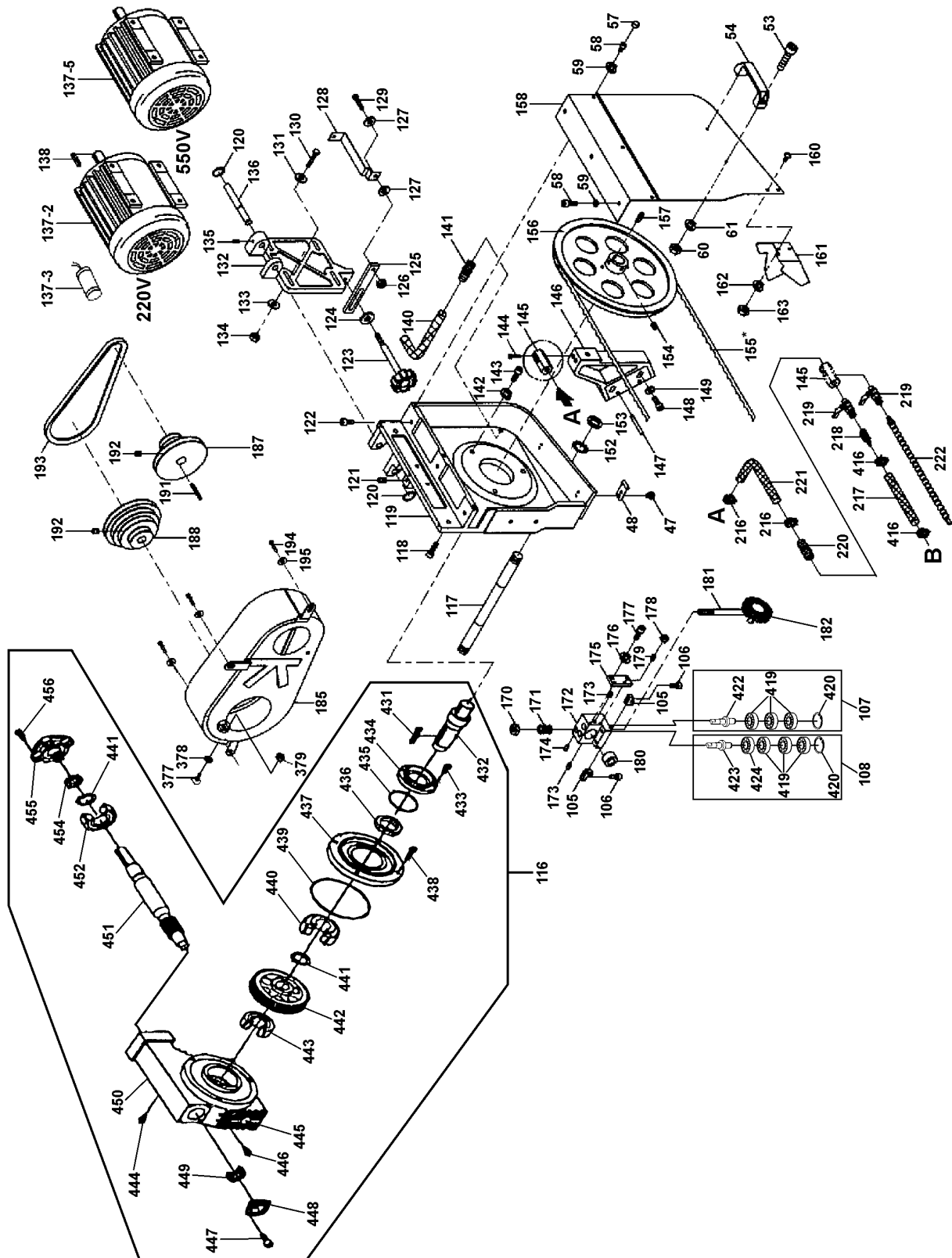


MFG 2003 and up only / Modèle 2003 et plus seulement

Revised/Revisé 08/2008

Head Diagram 2 / Diagramme de la Tête 2

KC-225



Service Manual / Manuel de Service

9" x 16" Metal Cutting Bandsaw Scie à Ruban à Métal 9" x 16"

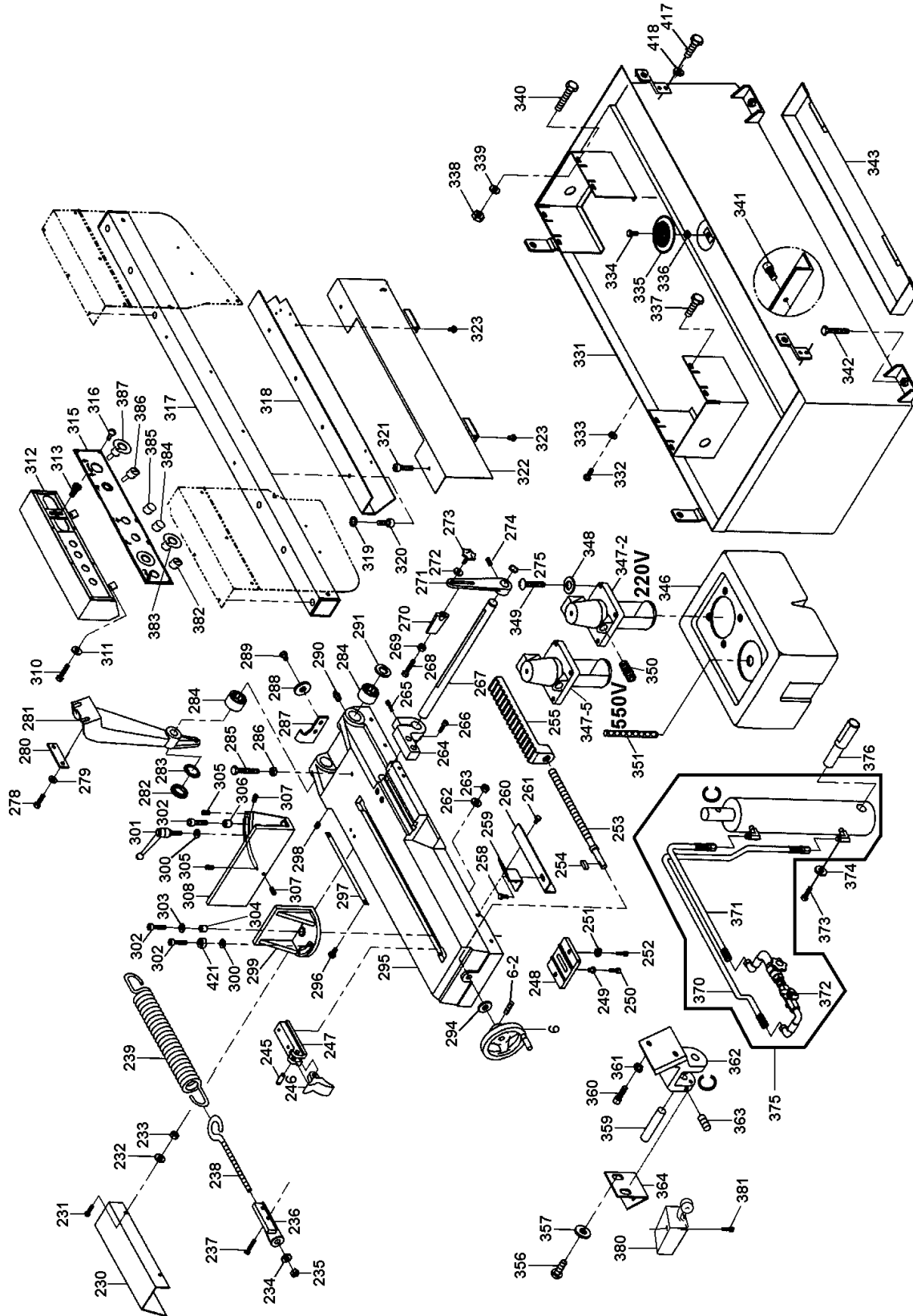


MFG 2003 and up only / Modèle 2003 et plus seulement

Revised/Revisé 08/2008

Base Diagram / Diagramme de la Base

KC-225





Parts Pricing List / Liste de Prix des Pièces

KC-225

Diag.	Order # Com.	English Description	Description Française	Qty./Qté.	Price/Prix
1	1202250010	ADJUSTING SLIDE BRACKET	SUPPORT D'AJUST. COULISSANT	1	\$143.75
1-1	1202250011	BLADE TENSION ADJUST. SYS. ASS.	SYS. D'AJUST./TENSION DE LA LAME	1	\$378.35
2	1202250020	HEX. NUT	ECROU HEXAGONAL	4	\$1.78
3	1202250030	POINTED SET SCREW W/SLOT	VIS SANS TETE POINTUE A/RAINURE	2	\$6.84
4	1202250040	WASHER	RONDELLE	4	\$1.67
5	1202250050	CAP SCREW	BOULON A TETE CYLINDRIQUE	1	\$2.82
6	1202250060	DISC FOR WASHER SPRING	DISQUE/RESSORT A RONDELLES	14	\$9.83
7	1202250070	INDICATOR DIAL	INDICATEUR	1	\$6.84
8	1202250080	THRUST BEARING	ROULEMENT A BUTTEES	1	\$36.28
9	1202250090	WASHER (THICK)	RONDELLE (EPAISSE)	2	\$2.70
10	1202250100	LARGE HEAD HEX. BOLT	BOULON HEXAGONAL A TETE LARGE	1	\$9.03
11	1202250110	SCALE	REGLE	1	\$7.99
12	1202250120	PAN HD SCREW	VIS A TETE BOMBEE	2	\$1.55
13	1202250130	SPRING	RESSORT	1	\$5.58
14	1202250140	WHEEL SHAFT BRACKET	SUPPORT DE TIGE POUR ROUE	1	\$57.33
14-1	1202250141	BRACKET & SHAFT ASS'Y	SUPPORT ET TIGE ASSEMBLE	1	\$71.13
15	1202250150	WHEEL SHAFT	TIGE DE LA ROUE	1	\$16.04
16	1202250160	SPRING PIN	GOUPILLE A RESSORT	1	\$2.13
17	1202250170	COMPLETE HANDWHEEL	MANIVELLE COMPLETE	1	\$61.93
18	1202250180	SET SCREW	VIS SANS TETE	5	\$1.55
20	1202250200	KEY	CLE DE RETENUE	1	\$1.90
21	1202250210	LEAD SCREW	TIGE VISSEE	1	\$44.68
22	1202250220	COLLAR	BAGUE	1	\$7.30
23	1202250230	SPRING PIN	GOUPILLE A RESSORT	5	\$1.90
24	1202250240	HEX. BOLT	BOULON HEXAGONAL	5	\$2.01
25	1202250250	SPRING WASHER	RONDELLE A RESSORT	8	\$1.55
26	1202250260	GIB	GLISSIERE	2	\$36.40
27	1202250270	SLIDE BRACKET	SUPPORT	1	\$90.68
29	1202250290	CAP SCREW	BOULON A TETE CYLINDRIQUE	3	\$1.90
30	1202250300	IDLER WHEEL BOX	BOITIER DE LA ROUE FOLLE	1	\$424.35
31	1202250310	BRACKET PLATE	PLAQUE SUPPORT	4	\$6.84
32	1202250320	PAN HD SCREW	VIS A TETE BOMBEE	16	\$1.55
34	1202250340	SPACER BUSHING	BAGUE D'ESPACEMENT	1	\$6.73
35-1	1202250351	IDLER WHEEL ASS'Y	ROUE FOLLE ASSEMBLEE	1	\$227.70
42	1202250420	COVER HANDLE	POIGNEE DU COUVERCLE	2	\$14.66
43	1202250430	IDLER WHEEL COVER (LEFT)	COUVERCLE DE LA ROUE (GAUCHE)	1	\$103.33
44	1202250440	PLASTIC CAP	CAPUCHON EN PLASTIQUE	6	\$2.59
45	1202250450	LEFT COLUMN SUPPORT	SUPPORT DE LA COLONNE (GAUCHE)	1	\$114.71
46	1202250460	ARM COLUMN	COLONNE DES BRAS	1	\$211.20
47	1202250470	PAN HD SCREW	VIS A TETE BOMBEE	4	\$1.55
48	1202250480	RIGHT COLUMN SUPPORT	SUPPORT DE COLONNE (DROIT)	1	\$114.71
49	1202250490	CAP SCREW	BOULON A TETE CYLINDRIQUE	2	\$1.67
52	1202250520	SCALE	REGLE	1	\$45.83
53	1202250530	RIVET	RIVET	4	\$1.55
54	1202250540	CAP SCREW	BOULON A TETE CYLINDRIQUE	2	\$2.24
55	1202250550	HEX. BOLT	BOULON HEXAGONAL	6	\$1.67
56	1202250560	ARM LOCK KNOB	BOUTON DE VERR. DU BRAS	1	\$21.79

Pricing subject to change without prior notice. / Prix sujet à changement sans préavis.



Parts Pricing List / Liste de Prix des Pièces

KC-225

Diag.	Order # Com.	English Description	Description Française	Qty./Qté.	Price/Prix
57	1202250570	BLADE LOWER PROTECTOR	PROTECTEUR DE LAME DU BAS	1	\$114.60
58	1202250580	UPPER BLADE COVER	COUVERCLE DE LAME EN HAUT	1	\$89.53
59	1202250590	BEARING SHAFT BRACKET (LEFT)	SUP. DES TIGES DE ROUL. (GAUCHE)	1	\$55.03
60-2	1202250602	CARBIDE BLADE GUIDE	GUIDE DE LAME AU CARBURE	4	\$45.94
61	1202250610	CAP SCREW	BOULON A TETE CYLINDRIQUE	6	\$2.01
62-1	1202250621	ECCENTRIC SHAFT & BEARING ASS'Y	TIGE EXCENTRIQUE ET ROUL. ASS.	2	\$84.93
65-1	1202250651	STRAIGHT SHAFT & BEARING ASS'Y	TIGE DROITE ET ROULEMENTS ASS.	2	\$107.81
67	1202250670	VINYL HOSE	BOYAU DE VINYL	1	\$27.54
68	1202250680	HOSE CLAMP	ATTACHE-BOYAU	4	\$2.59
69	1202250690	TUBE HOSE FITTING	RACCORD DE BOYAU	3	\$7.53
70	1202250700	CAP SCREW	BOULON A TETE CYLINDRIQUE	2	\$2.70
71	1202250710	CONNECTOR BRACKET	JOINT DE RACCORDEMENT	1	\$28.58
72	1202250720	VALVE	VALVE	2	\$19.95
73	1202250730	COOLANT FLEXIBLE HOSE	BOYAU FLEXIBLE DE LIQUIDE REFROID.	1	\$29.73
74	1202250740	PIVOT SHAFT	TIGE DE PIVOTEMENT	1	\$67.68
76	1202250760	RE-ENFORCED HOSE	BOYAU RENFORCE	1	\$45.83
77	1202250770	WISE JAW BUSHING	BAGUE DE LA MACHOIRE DE L'ETAU	1	\$14.89
78	1202250780	HOSE FITTING	RACCORD DE BOYAU	1	\$9.03
79	1202250790	SET SCREW	VIS SANS TETE	6	\$2.01
80	1202250800	CAP SCREW	BOULON A TETE CYLINDRIQUE	4	\$2.13
80-2	1202250802	CAP SCREW	BOULON A TETE CYLINDRIQUE	6	\$1.78
81	1202250810	HEX. NUT	ECROU HEXAGONAL	15	\$1.61
83	1202250830	WASHER	RONDELLE	25	\$1.73
84	1202250840	MOTOR MOUNTING PLATE	SUPPORT DE MONTAGE DU MOTEUR	1	\$91.60
85	1202250850	RETAINING RING/SHAFT	ANNEAU DE RETENU/TIGE	2	\$1.55
86	1202250860	PIVOT SHAFT	TIGE DE PIVOTEMENT	1	\$10.29
87	1202250870	HEX. BOLT	BOULON HEXAGONAL	5	\$2.01
88	1202250880	BRACKET	SUPPORT	1	\$15.81
89	1202250890	MOTOR ADJUSTMENT PLATE	PLAQUE D'AJUSTEMENT DU MOTEUR	1	\$21.68
90	1202250900	LOCK HANDLE	POIGNEE DE VERROUILLAGE	1	\$27.20
92	KBB-225	BLADE	LAME	1	-
93	1202250930	CAP SCREW	BOULON A TETE CYLINDRIQUE	2	\$2.01
94	1202250940	DRIVE BLADE WHEEL	ROUE D'ENTRAINEMENT	1	\$212.69
95	1202250950	SET SCREW	VIS SANS TETE	2	\$1.90
96	1202250960	DRIVE WHEEL COVER	COUV. DE ROUE D'ENTRAINEMENT	1	\$103.33
97	1202250970	HEX. NUT	ECROU HEXAGONAL	3	\$1.61
98	1202250980	BRUSH COVER	COUVERCLE DE LA BROUSSE	1	\$38.93
99	1202250990	SPRING	RESSORT	1	\$4.08
100	1202251000	SPRING PIN	GOUPILLE A RESSORT	1	\$1.90
101	1202251010	BEARING BRACKET (RIGHT)	SUPPORT DES ROULEMENTS (DROIT)	1	\$67.68
106	1202251060	ROUND BRUSH (ONLY)	BROSSE RONDE (SEULE)	1	\$41.34
106-1	1202251061	ROUND BRUSH & SHAFT ASS'Y	BROSSE RONDE ET TIGE ASS.	1	\$74.69
108	1202251080	BLADE GUARD	PROTEGE-LAME	1	\$30.88
125-1	1202251251	GEAR BOX ASSEMBLY	BOITIER D'ENGRENAGE ASSEMBLE	1	\$856.75
138	1202251380	COMPLETE PULLEY COVER	COUVERCLE DES POULIES COMP.	1	\$178.25
140	1202251400	PAN HD SCREW	VIS A TETE BOMBEE	3	\$1.55
141-2	1202251412	MOTOR PULLEY	POULIE DU MOTEUR	1	\$91.94

Pricing subject to change without prior notice. / Prix sujet à changement sans préavis.

**Parts Pricing List / Liste de Prix des Pièces****KC-225**

Diag.	Order # Com.	English Description	Description Française	Qty./Qté.	Price/Prix
142	1202251420	SET SCREW	VIS SANS TETE	3	\$2.01
143	1202251430	GEAR BOX PULLEY	POULIE DU BOITIER D'ENGRENAGE	1	\$79.06
144	1202251440	V-BELT	COURROIE EN "V"	1	\$12.59
145	1202251450	MOTOR (220V)	MOTEUR (220V)	1	\$615.25
145-2	1202251452	STARTING CAPACITOR	CONDENSATEUR DE DEMARRAGE	1	\$45.94
145-3	1202251453	SAFETY RESET	RELAJ DE SECURITE	1	\$25.13
145-5	1202251455	MOTOR (550V)	MOTEUR (550V)	1	\$569.25
146	1202251460	KEY	CLE DE RETENUE	1	\$2.70
148	1202251480	UPPER CYLINDER BRACKET	SUPPORT DU CYLINDRE (HAUT)	1	\$55.03
149	1202251490	PIVOT PIN	GOUPILLE DE PIVOTEMENT	1	\$11.10
150	1202251500	HOSE W/TUBE FITTING	BOYAU AVEC RACCORD	1	\$56.18
151	1202251510	HOSE W/TUBE FITTING	BOYAU AVEC RACCORD	1	\$44.45
155	1202251550	COMPLETE VALVE ASS'Y	SOUPAPE COMPLETE ASSEMBLE	2	\$379.33
156	1202251560	COMP. CYLINDER W/CONTROL ASS'Y	CYLINDRE COMPLET ET VALVE ASS.	1	\$626.75
157	1202251570	SQUARE COLUMN	COLONNE CARRE	1	\$247.25
160	1202251600	SPRING WASHER	RONDELLE A RESSORT	20	\$1.55
164	1202251640	SPRING COVER	COUVERCLE DU RESSORT	1	\$36.40
165	1202251650	HEX. BOLT	BOULON HEXAGONAL	6	\$1.90
166	1202251660	EXTENSION SPRING	RESSORT A EXTENSION	1	\$114.83
167	1202251670	EYE BOLT	BOULON A OEIL	1	\$14.78
168	1202251680	SPRING BRACKET	SUPPORT DU RESSORT	1	\$13.40
170	1202251700	HEX. NUT	ECROU HEXAGONAL	1	\$2.01
172	1202251720	COMPLETE HANDWHEEL	MANIVELLE COMPLETE	1	\$61.93
173	1202251730	WASHER	RONDELLE	1	\$2.93
182	1202251820	WISE LOCK HANDLE	POIGNEE DE VERR. DE L'ETAU	2	\$68.94
183	1202251830	CAP SCREW	BOULON A TETE CYLINDRIQUE	6	\$2.36
184	1202251840	BUSHING	BAGUE	1	\$5.69
185	1202251850	WISE JAW BRACKET (FRONT)	MACHOIRE DE L'ETAU (AVANT)	1	\$109.25
186	1202251860	WISE TABLE (SPECIAL ORDER)	TABLE DE L'ETAU (COMM. SPEC.)	1	\$948.75
187	1202251870	HEX. BOLT	BOULON HEXAGONAL	2	\$2.13
188	1202251880	RETAINING PLATE	PLAQUE DE RETENUE	1	\$5.69
189	1202251890	REAR PIVOT BRACKET	SUPPORT DE PIVOTEMENT (ARR.)	1	\$212.75
190	1202251900	LOCKING NUT	ECROU DE VERROUILLAGE	2	\$12.36
191	1202251910	LOCKING STAR WASHER	RONDELLE ETOILEE DE VERR.	2	\$5.00
192	1202251920	NEEDLE BEARING	ROULEMENT A AIGUILLES	2	\$83.78
194	1202251940	GREASE NIPPLE	ORIFICE DE GRAISSAGE	2	\$3.05
195	1202251950	WASHER SPACER	ESPACEUR RONDELLE	2	\$9.60
196	1202251960	DEGREE SCALE	EHELLE EN DEGRES	1	\$10.75
197	1202251970	WISE JAW (REAR)	MACHOIRE DE L'ETAU (ARRIERE)	1	\$224.25
199	1202251990	SETTING ROD	TIGE D'AJUSTEMENT	1	\$38.93
200	1202252000	STOP BRACKET	SUPPORT D'ARRET	1	\$34.10
201	1202252010	SET SCREW	VIS SANS TETE	3	\$1.55
202	1202252020	LOCK KNOB	BOUTON DE RETENU	1	\$5.69
203	1202252030	SETTING BRACKET	SUPPORT D'AJUSTEMENT	1	\$13.51
204	1202252040	PAN HD SCREW	VIS A TETE BOMBEE	11	\$1.55
205	1202252050	ROD BRACKET	SUPPORT DE TIGE	1	\$43.07
206	1202252060	POSITION SET BRACKET	SUPPORT DE POSITIONNEMENT	1	\$34.44

Pricing subject to change without prior notice. / Prix sujet à changement sans préavis.



Parts Pricing List / Liste de Prix des Pièces

KC-225

Diag.	Order # Com.	English Description	Description Française	Qty./Qté.	Price/Prix
207	1202252070	CAP SCREW	BOULON A TETE CYLINDRIQUE	2	\$1.84
208	1202252080	CABINET STAND (SPECIAL ORDER)	CABINET SUPPORT (COMM. SPEC.)	1	\$1,374.25
209	1202252090	FILTER	FILTRE	1	\$11.44
212	1202252120	CONTROL BOX (ONLY)	BOITE DE CONTROLE (SEULEMENT)	1	\$159.85
212-2	1202252122	COOLANT PUMP SWITCH	INTERRUPTEUR/POMPE A LIQUIDE	1	\$45.60
212-3	1202252123	EMERGENCY STOP BUTTON	BOUTON D'ARRET D'URGENCE	1	\$57.44
212-4	1202252124	INDICATING LIGHT	LAMPE TEMOIN	1	\$32.95
212-5	1202252125	START BUTTON (GREEN)	BOUTON DE DEMARRAGE (VERT)	1	\$68.94
212-6	1202252126	FEED RATE ADJUST KNOB	BOUTON D'AJUST./ABAISSEMENT	1	\$39.04
213	1202252130	CONTROL BOX PLATE	PLAQUE DE LA BOITE DE CONTROLE	1	\$68.83
214	1202252140	RETAINING RING/SHAFT	ANNEAU DE RETENU/TIGE	1	\$2.24
216	1202252160	CAP SCREW	BOULON A TETE CYLINDRIQUE	2	\$2.24
218	1202252180	SET SCREW	VIS SANS TETE	2	\$2.01
219	1202252190	HEX. BOLT	BOULON HEXAGONAL	4	\$1.90
220	1202252200	GIB	GLISSIERE	1	\$40.19
221	1202252210	SPACER BUSHING	BAGUE D'ESPACEMENT	2	\$5.69
222	1202252220	HEX. NUT	ECROU HEXAGONAL	1	\$1.73
223	1202252230	VINYL HOSE	BOYAU DE VYNILE	1	\$19.49
224	1202252240	WASHER	RONDELLE	7	\$1.67
225	1202252250	HEX. BOLT	BOULON HEXAGONAL	4	\$2.70
227	1202252270	HEX. BOLT	BOULON HEXAGONAL	2	\$1.61
228	1202252280	SPRING WASHER	RONDELLE A RESSORT	8	\$1.55
230	1202252300	HOSE CLIP	ATTACHE DE BOYAU	1	\$2.59
231	1202252310	CAP SCREW	BOULON A TETE CYLINDRIQUE	14	\$1.67
232	1202252320	SUPPORT SEAT	SIEGE DU SUPPORT	1	\$34.10
233	1202252330	ADJUSTABLE FIXING PLATE (RIGHT)	PLAQUE DE FIXATION AJUST. (DR.)	1	\$17.08
234	1202252340	ADJUSTABLE FIXING PLATE (LEFT)	PLAQUE DE FIXATION AJUST. (GAU.)	1	\$21.56
235	1202252350	BLADE GUIDE ARM (LEFT)	BRAS GUIDE DE LAME (GAUCHE)	1	\$170.20
236	1202252360	BLADE GUIDE ARM (RIGHT)	BRAS GUIDE DE LAME (DROIT)	1	\$170.20
242	1202252420	COOLANT TANK	RESERVOIR A LIQUIDE	1	\$87.23
250	1202252500	KEY	CLE DE RETENUE	1	\$2.70
252	1202252520	CYLINDER SUPPORT SHAFT	TIGE SUPPORT DU CYLINDRE	1	\$34.10
260	1202252600	CHIP TRAY	PLATEAU DE RECUPERATION	1	\$68.83
261	1202252610	WASHER	RONDELLE	2	\$1.73
263	1202252630	HOSE FITTING	RACCORD DE BOYAU	1	\$5.69
264	1202252640	CAP SCREW	BOULON A TETE CYLINDRIQUE	1	\$3.05
265	1202252650	WASHER	RONDELLE	2	\$1.61
266	1202252660	SPRING WASHER	RONDELLE A RESSORT	2	\$1.67
267	1202252670	CAP SCREW	BOULON A TETE CYLINDRIQUE	1	\$2.59
268	1202252680	SET SCREW	VIS SANS TETE	4	\$1.90
269	1202252690	HEX. BOLT	BOULON HEXAGONAL	2	\$1.67
273	1202252730	COOLANT PUMP (115/230V)	POMPE A LIQUIDE (115/230V)	1	\$332.35
273-2	1202252732	COOLANT PUMP CAP	COUVERCLE DE LA POMPE	1	\$11.10
273-5	1202252735	COOLANT PUMP (550V)	POMPE A LIQUIDE (550V)	1	\$385.25
274	1202252740	PAN HD SCREW	VIS A TETE BOMBEE	4	\$1.67
275	1202252750	WASHER	RONDELLE	4	\$1.55
276	1202252760	REINFORCED COOLANT HOSE	BOYAU RENFORCE POUR LIQUIDE	1	\$18.34

Pricing subject to change without prior notice. / Prix sujet à changement sans préavis.

**Parts Pricing List / Liste de Prix des Pièces****KC-225**

Diag.	Order # Com.	English Description	Description Française	Qty./Qté.	Price/Prix
277	1202252770	90 DEGREE CONNECTOR	RACCORD 90 DEGRES	1	\$17.19
401	1202254010	TENSION INDICATOR LABEL	PLAQUE INDICATRICE DE TENSION	1	\$8.80
402	1202254020	RIVET	RIVET	4	\$1.32
403	1202254030	CAP SCREW	BOULON A TETE CYLINDRIQUE	3	\$2.24
404	1202254040	CAP SCREW	BOULON A TETE CYLINDRIQUE	4	\$1.78
405	1202254050	SPRING WASHER	RONDELLE A RESSORT	10	\$1.67
406	1202254060	CAP SCREW	BOULON A TETE CYLINDRIQUE	1	\$2.70
407	1202254070	SPRING WASHER	RONDELLE A RESSORT	3	\$1.55
408	1202254080	KEY	CLE DE RETENUE	1	\$2.47
409	1202254090	PAN HD SCREW	VIS A TETE BOMBEE	2	\$1.67
410	1202254100	PIN	GOUILE	1	\$3.16
411	1202254110	RACK HOOK	VERROU DE LA CREMAILLIERE	1	\$25.13
412	1202254120	RACK HOOK BRACKET	SUPPORT DU VERROU	1	\$61.70
413	1202254130	RACK SUPPORT	SUPPORT DE LA CREMAILLIERE	2	\$57.33
414	1202254140	SPRING WASHER	RONDELLE A RESSORT	4	\$1.67
415	1202254150	CAP SCREW	BOULON A TETE CYLINDRIQUE	4	\$1.90
416	1202254160	THREADED SHAFT	TIGE FILETEE	1	\$61.81
417	1202254170	KEY	CLE DE RETENUE	1	\$1.90
418	1202254180	RACK	CREMAILLIERE	1	\$96.31
419	1202254190	FIXED PLATE	PLAQUE DE FIXATION	1	\$14.66
420	1202254200	FIXED PLATE	PLAQUE DE FIXATION	1	\$16.85
421	1202254210	HEX. BOLT	BOULON HEXAGONAL	2	\$1.78
422	1202254220	CAP SCREW	BOULON TETE CYLINDRIQUE	2	\$2.82
423	1202254230	HEX. BOLT	BOULON HEXAGONAL	1	\$3.39
424	1202254240	COUNTERSUNK HD SCREW	VIS A TETE FRAISEE	2	\$1.67
425	1202254250	SPRING WASHER	RONDELLE A RESSORT	6	\$1.55
426	1202254260	HEX. BOLT	BOULON HEXAGONAL	1	\$1.67
427	1202254270	HEX. NUT	ECROU HEXAGONAL	1	\$1.61
428	1202254280	CAP SCREW	BOULON A TETE CYLINDRIQUE	1	\$2.93
429	1202254290	LIMIT SWITCH BRACKET	SUPPORT INTERRUPTEUR CONTACT	1	\$20.53
430	1202254300	WASHER	RONDELLE	1	\$1.55
431	1202254310	ELBOW	COUDE	1	\$7.99
432	1202254320	SHOULDER BUSHING	BAGUE A EPAULEMENT	2	\$5.69
433	1202254330	CAP SCREW	BOULON A TETE CYLINDRIQUE	2	\$2.70
	120225MBIL	BILINGUAL MANUAL KC-225	MANUEL BILINGUE KC-225	1	\$15.00